



TECNOCAT STORAGE

CLA6D | CLA6DW

CLA6D | CLA6DW

STORAGE

CLA6D



(1X) 6100x3300 mm
(2X) 3300x2600 mm

kW

3 kW

AIR

7 bar [100 psi] - 10 l/min

CLA6DW



(1X) 6100x3300 mm
(2X) 3700x2600 mm

kW

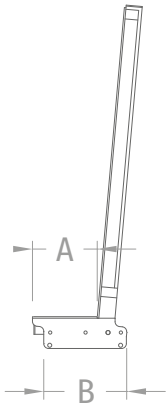
3 kW

AIR

7 bar [100 psi] - 10 l/min

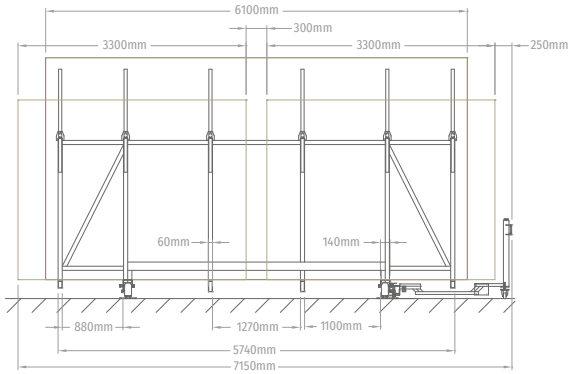
STORAGE



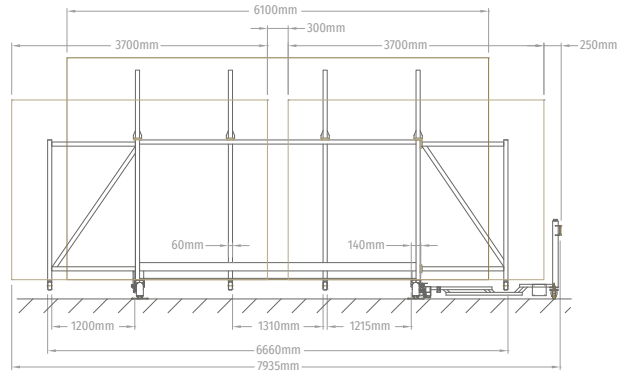


	A		B
CLA6D-200 / CLA6DW-200	200 mm	8000 kg	335 mm
CLA6D-250 / CLA6DW-250	250 mm	10000 kg	385 mm
CLA6D-300 / CLA6DW-300	300 mm	12000 kg	435 mm
CLA6D-350 / CLA6DW-350	350 mm	14000 kg	505 mm
CLA6D-400 / CLA6DW-400	400 mm	16000 kg	555 mm

CLA6D



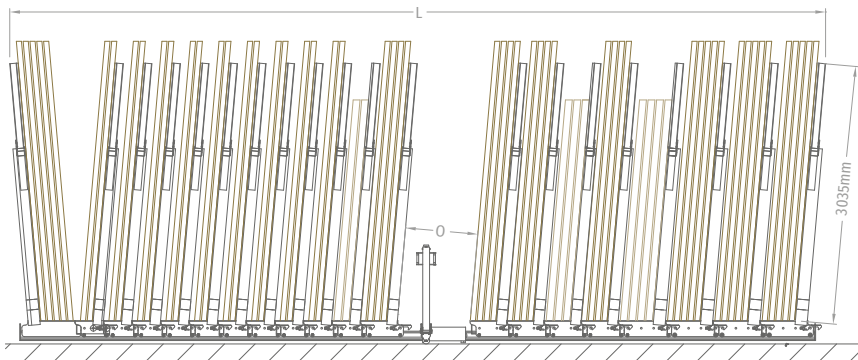
CLA6DW



STORAGE

CLA6D | CLA6DW

$$L \text{ (mm)} = \Sigma B + 850 \text{ (O)} + 485$$



TILTING SECURITY SHAPE

PICTOGRAMS



ELECTRICAL POWER



MANUAL ROTATION EQUIPMENT



NOMINAL ELECTRIC POWER



PNEUMATIC ROTATION EQUIPMENT



ENERGY AUTONOMY BY BATTERIES



MOTORIZED ROTATION EQUIPMENT



PNEUMATIC SUPPLY



HYDRAULIC ROTATION EQUIPMENT



MAXIMUM LOAD CAPACITY



EQUIPMENT WEIGHT



MAXIMUM LOAD CAPACITY ACCORDING EN-13155



VACUUM SYSTEM AIR FLOW



TILTING EQUIPMENT



PUSHBUTTON CABLE LENGTH



MANUALLY TILTING EQUIPMENT



WIRELESS PUSHBUTTON



PNEUMATIC TILTING EQUIPMENT



LOAD CAPACITY ACCORDING EN-13155



MOTORIZED TILTING EQUIPMENT



EQUIPMENT SUPPORT SYSTEM



HYDRAULIC TILTING EQUIPMENT



LIFTING CRANE USABLE ROTATION



ROTATION EQUIPMENT