



TECNOCAT HANDLING

EXPRESS-200S

EXPRESS-200S

HANDLING

EXPRESS-200S



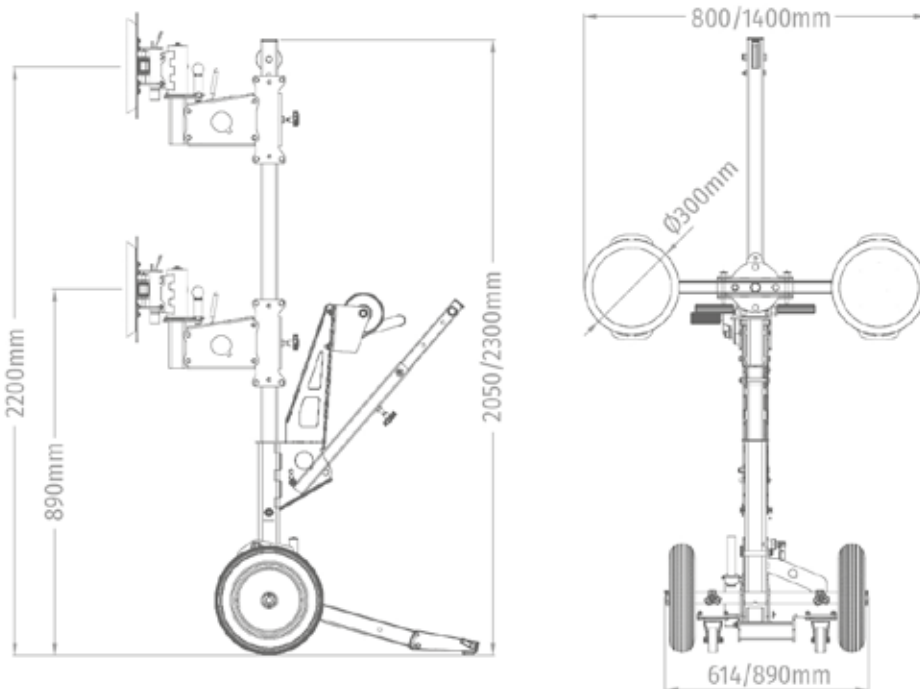
	200 kg
	62 kg
	90° - 180° - 270° - 360°

INCLUDED

- SIDE SHIFT

OPTIONAL

- CW COUNTERWEIGHT
- AUTOPUMP
- H-FRAME

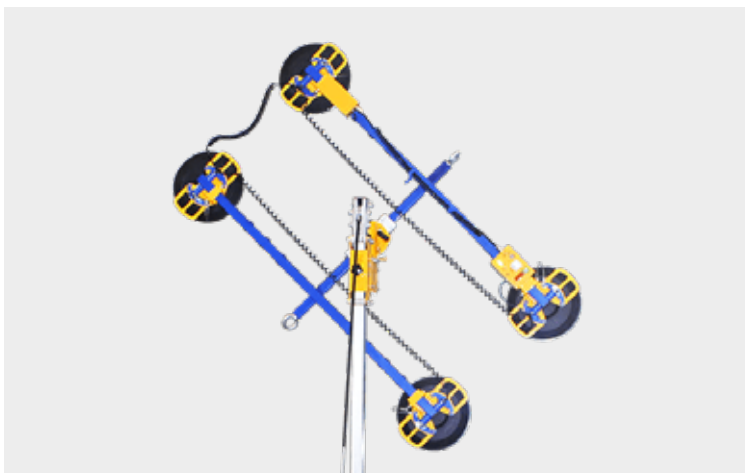


EXPRESS-200S FULL EQUIPMENT

EXPRESS-200S FULL EQUIPMENT



H-FRAME



	200 kg
	62 kg
	90° - 180° - 270° - 360°

SIDE SHIFT



CW COUNTERWEIGHT



AUTOPUMP



HANDLING

PICTOGRAMS



ELECTRICAL POWER



MANUAL ROTATION EQUIPMENT



NOMINAL ELECTRIC POWER



PNEUMATIC ROTATION EQUIPMENT



ENERGY AUTONOMY BY BATTERIES



MOTORIZED ROTATION EQUIPMENT



PNEUMATIC SUPPLY



HYDRAULIC ROTATION EQUIPMENT



MAXIMUM LOAD CAPACITY



EQUIPMENT WEIGHT



MAXIMUM LOAD CAPACITY ACCORDING EN-13155



VACUUM SYSTEM AIR FLOW



TILTING EQUIPMENT



PUSHBUTTON CABLE LENGTH



MANUALLY TILTING EQUIPMENT



WIRELESS PUSHBUTTON



PNEUMATIC TILTING EQUIPMENT



LOAD CAPACITY ACCORDING EN-13155



MOTORIZED TILTING EQUIPMENT



EQUIPMENT SUPPORT SYSTEM



HYDRAULIC TILTING EQUIPMENT



LIFTING CRANE USABLE ROTATION



ROTATION EQUIPMENT