





XE1-2500G-A | XE1-2500G-B | XE1-2500-C

XE1-2500G 2 KITS DE CURVO | XE1-2500G 3 KITS DE CURVO | XE1-2500G 4 KITS DE CURVO

WORK SERIES

 ENH355	OK
 kW	150 W
 360°	360° - ENDLESS
 3 m	3 m
 4.0	OK

 220-240VAC (50-60Hz)
 83 L/min
 0° - 90°
 OK - Running period 12h aprox

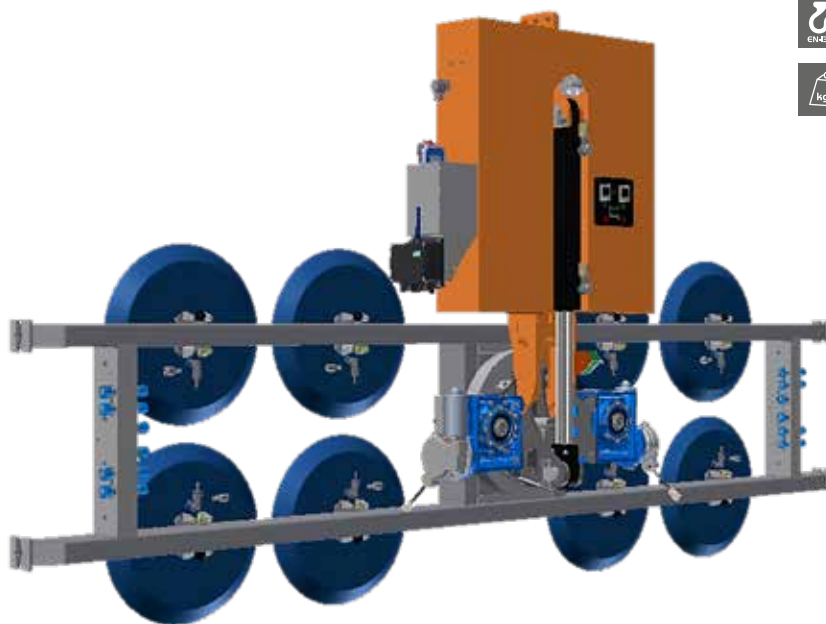
INCLUDED



- MV-VOL WIRES AND PLUGS
- M-BOX METAL BOX

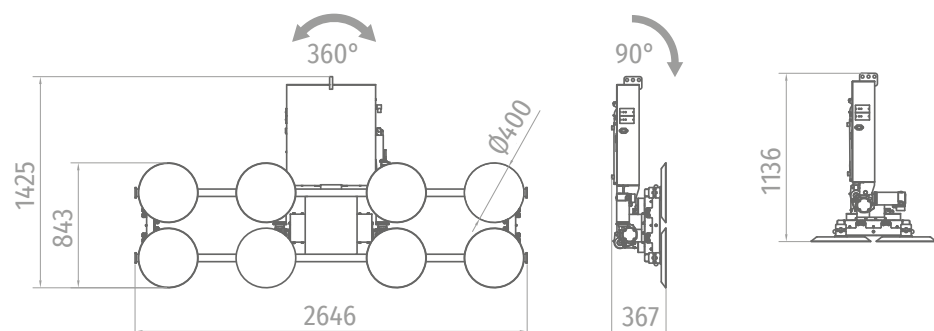
OPTIONAL

- FU-P COVERS
- MI-14A WIRELESS PUSHBUTTON CONTROLLER
- AL-BOT PUSHBUTTON 10m. WIRE

XE1-2500G-A



 ENH355	1000 kg
 kg	230 kg



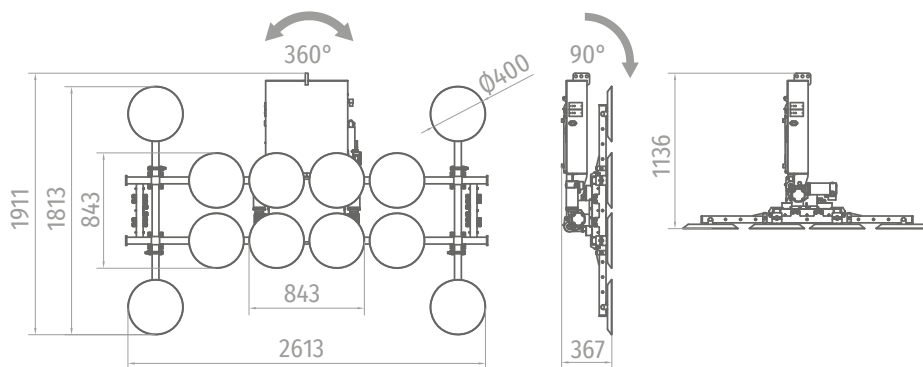
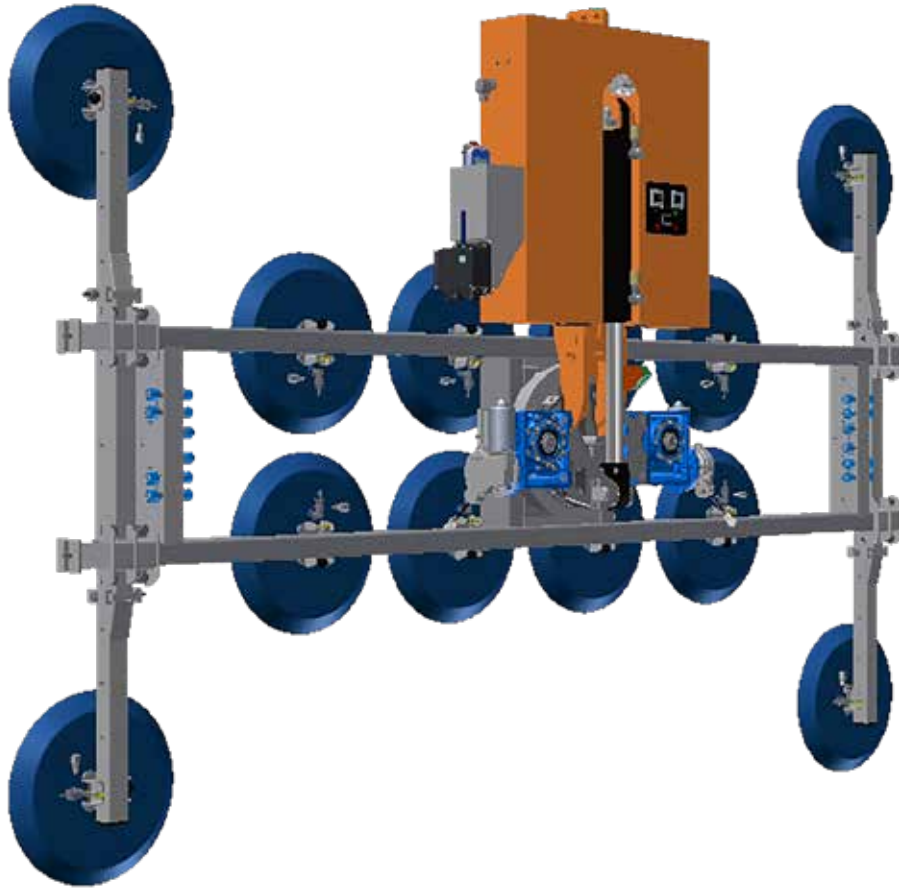
XE1-2500G-B



1500 kg



280 kg



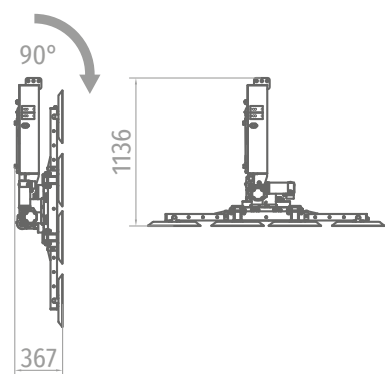
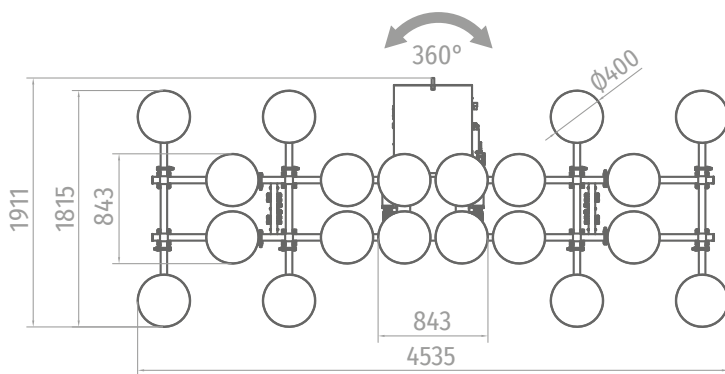
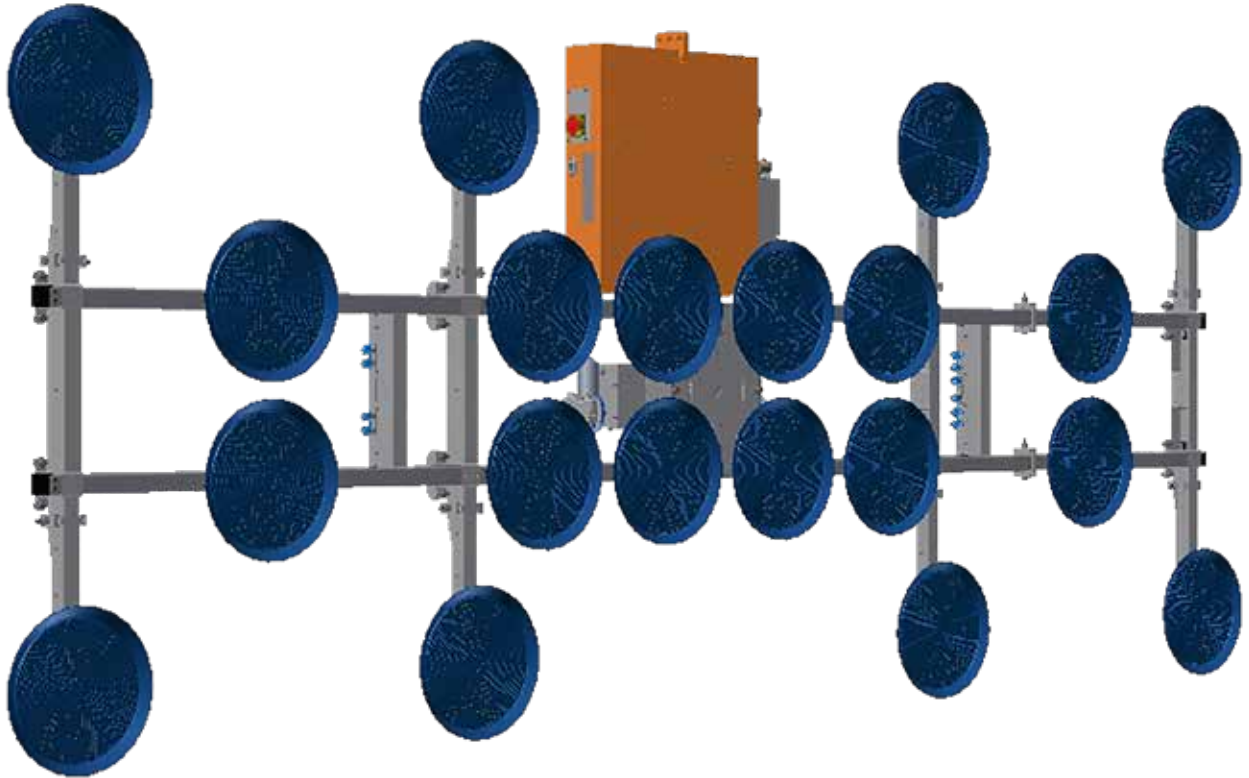
XE1-2500G-C



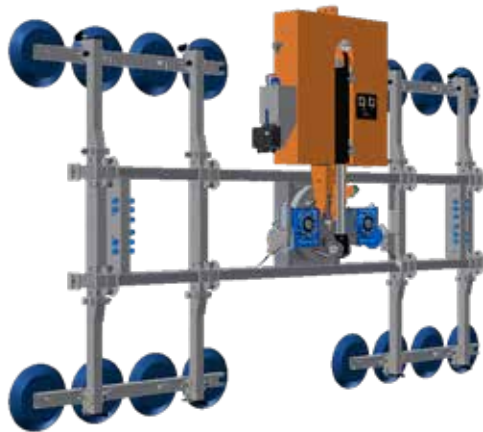
2500 kg



370 kg



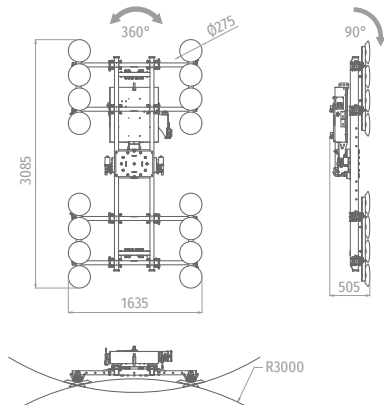
XE1-2500G 4 KITS DE CURVO



800 kg



295 kg



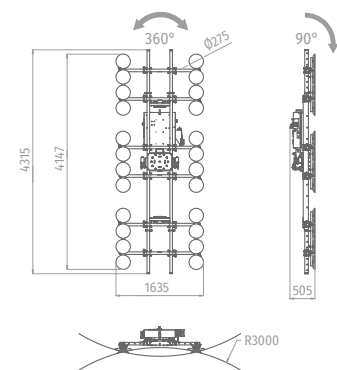
XE1-2500G 6 KITS DE CURVO



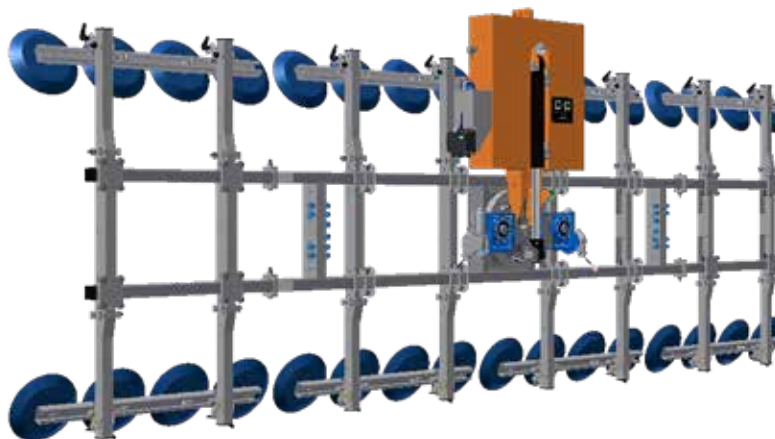
1200 kg



375 kg



XE1-2500G 8 KITS DE CURVO



1600 kg



420 kg

