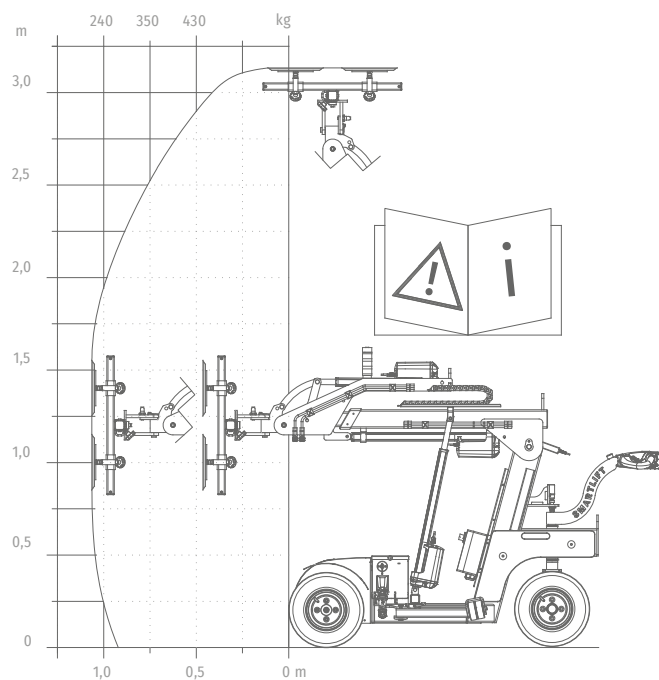


SL409 HLE RT OUTDOOR

HANDLING

SL409 HLE RT OUTDOOR

HANDLING



TECHNICAL DATA

DESCRIPTION	VALUE	DESCRIPTION	VALUE
Model	SL409 HLE RT Outdoor	Front-wheel drive	1500 W AC
Lifting cap. arm in/out	430/90 kg	Suction pads	4 x Ø300 mm
Lifting height	3700 mm	Width	820 mm
Extension of arm	600+600 mm	Curb weight	730 kg
Tip from horizontal	45° back / 90° fwd	Class	IP 65
Side shift	100 mm		
Charging voltage	230 V / 110 V		
Charging time	Approx. 8 hrs		
Running period	Up to 10 hrs		

SL409 HLE RT OUTDOOR

