





XL0-150





WORK SERIES

XL0-150

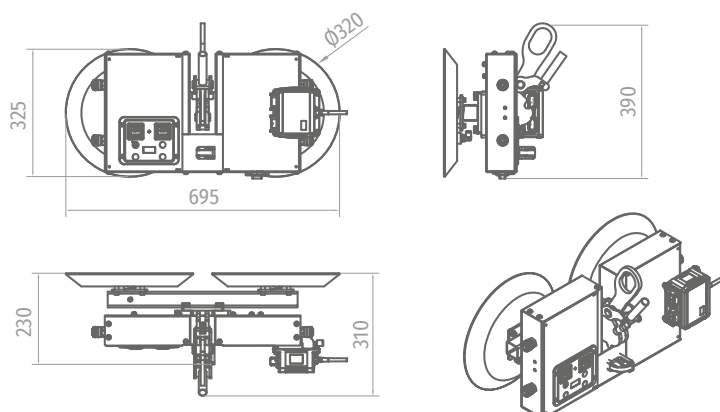
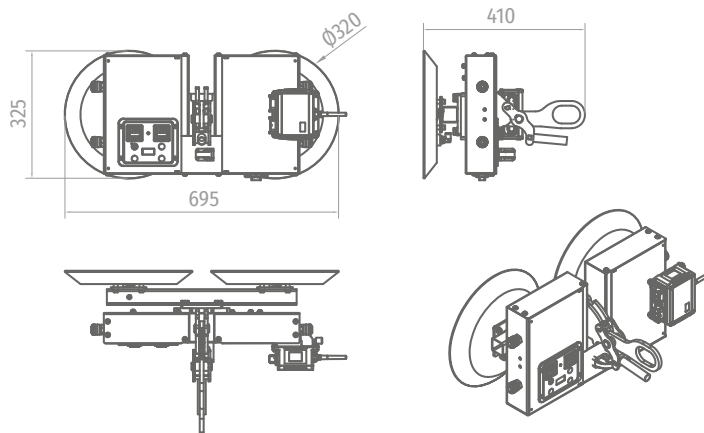
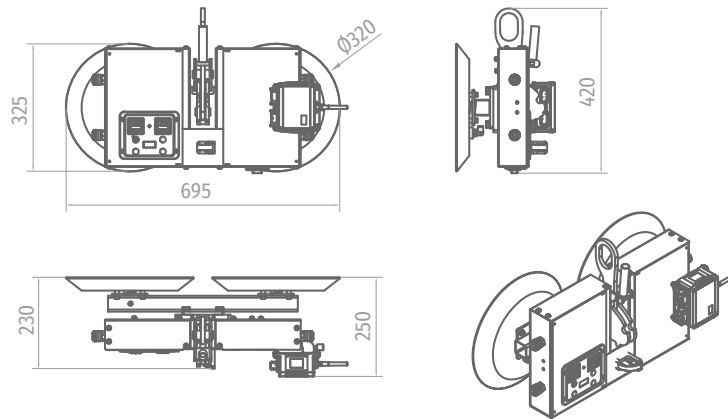
	300 kg
	90 kg
	24 kg



	220-240V (50-60 Hz)
kW	60 W
EMBISS	OK

	30 L/min
	0° - 60° - 90°
	OK - BATTERY 12V
	OK

XLO-150



OPTIONALS

- CM-VC METAL BOX
- FU-P COVERS
- MI-04A WIRELESS REMOTE CONTROL