










XE1-1500G

XE1-1500G-A | XE1-1500G-B | XE1-1500G-C | XE1-1500G+2KIT CURVO | XE1-1500G+4KIT CURVO

WORK SERIES

 ENH3155	OK		220-240VAC (50-60Hz)
 kW	150 W		83 L/min
	360° - ENDLESS		0° - 90°
	3 m		OK - Running period 12h aprox
	OK		

XE1-1500-A



INCLUDED

- **M-BOX** METAL BOX
- **PUSHBUTTON** WITH 3m WIRE

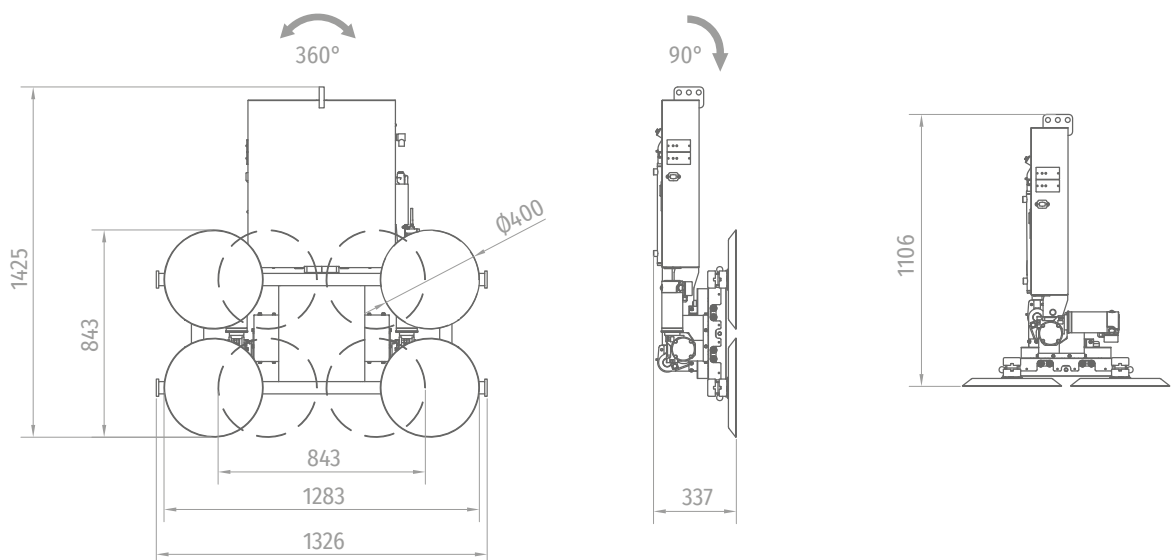
OPTIONAL

- **FU-P** COVERS
- **MI-14A** WIRELESS PUSHBUTTON CONTROLLER
- **AL-BOT** PUSHBUTTON 10m. WIRE
- **BPS03 .1** EXTERNAL AC POWER SUPPLY BOX

XE1-1500-A



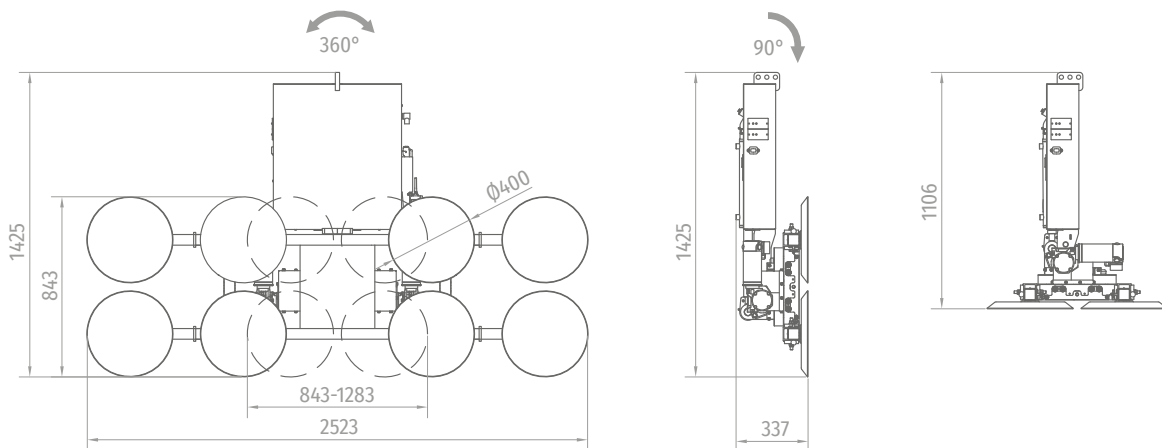
	1000 kg
	500 kg
	180 kg



XE1-1500G-B

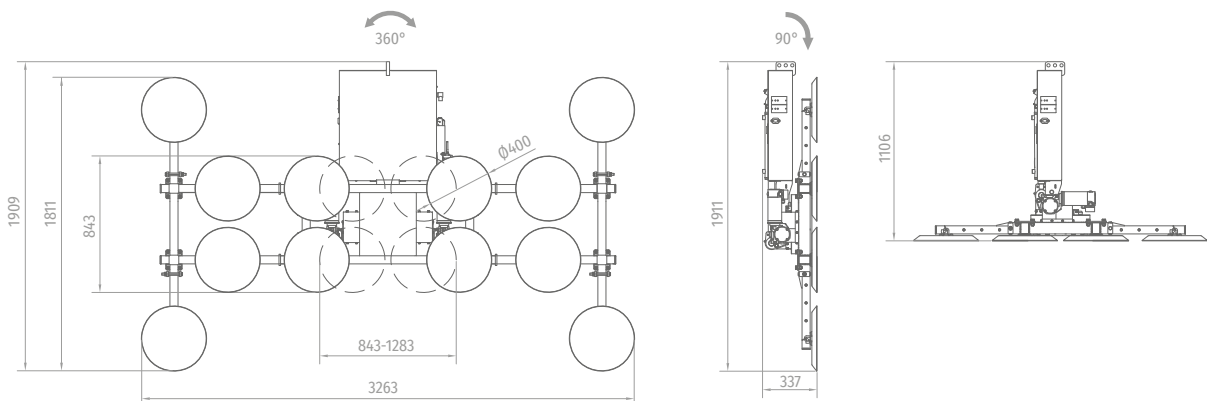


	1500 kg
	1000 kg
	210 kg



XE1-1500G-C

	1500 kg		1500 kg		270 kg
--	---------	--	---------	--	--------



XE1-1500G+2KIT CURVO



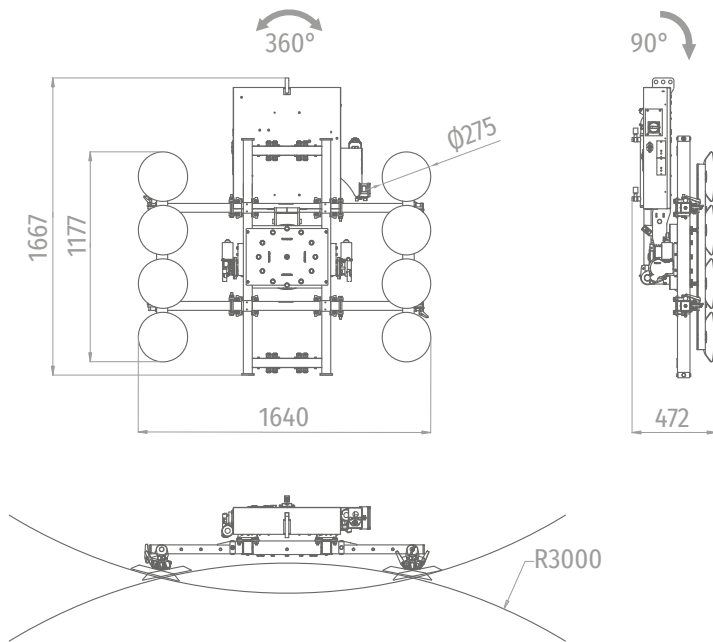
400 kg



400 kg



210 kg



XE1-1500G+4KIT CURVO



800 kg



800 kg



285 kg

