

# FF1-240 | FF1-800

FF1-240+2 x 4AL-FF1-240 | FF1-800+2 x 4AL-FF1-800







## HANDLING

### FF1-240+2 x 4AL-FF1-240





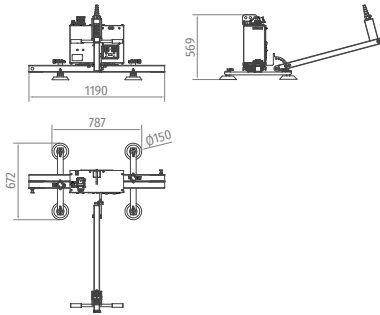
## OPTIONALS

- **M-BASC** HANDELBAR INCLINATION ADJUSTABLE.
- **PVNIT** NITRILE VACUUM CUP OILED SURFACES.



ENH355	-		200 - 500 VAC (50 - 60 Hz) Thriphase/Monopahse
kW	480 W		83 L/min
	3 m		OK
	-		OK

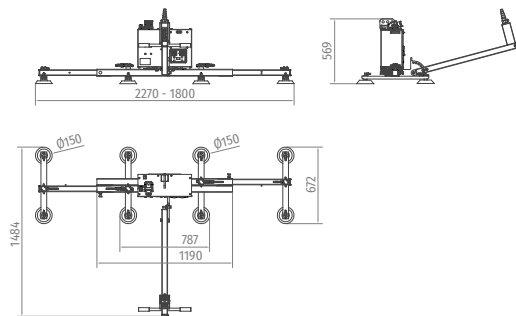
## FF1-240

	120 kg
	60 kg





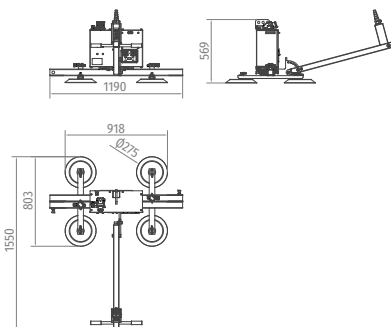
## FF1-240+2 x 4AL-FF1-240

	240 kg
	80 kg





## FF1-800

	400 kg
	65 kg



## FF1-800+2 x 4AL-FF1-800

	800 kg
	85 kg

