




P-21 | P-24 | P-31 | P-34

HANDLING




P-21



	800 kg
	4 mm → 30 mm
	21 kg




P-24



	800 kg
	4 mm → 60 mm
	37 kg




P-31



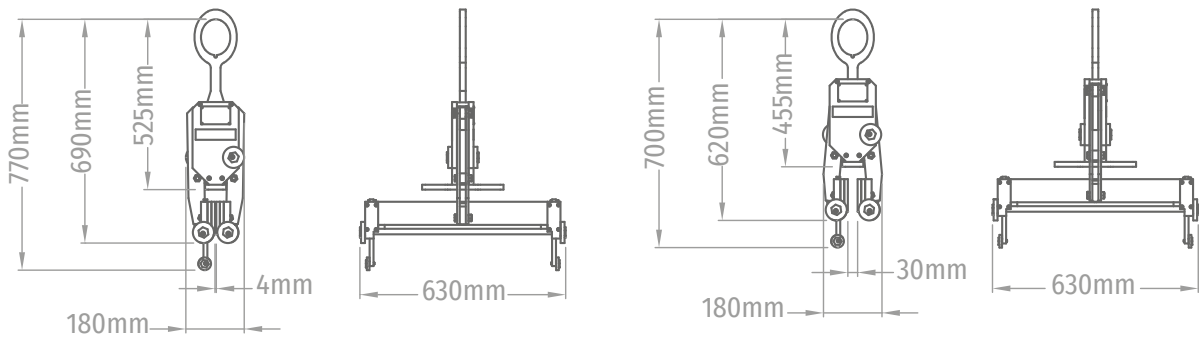
	1250 kg
	4 mm → 30 mm
	25 kg

P-34

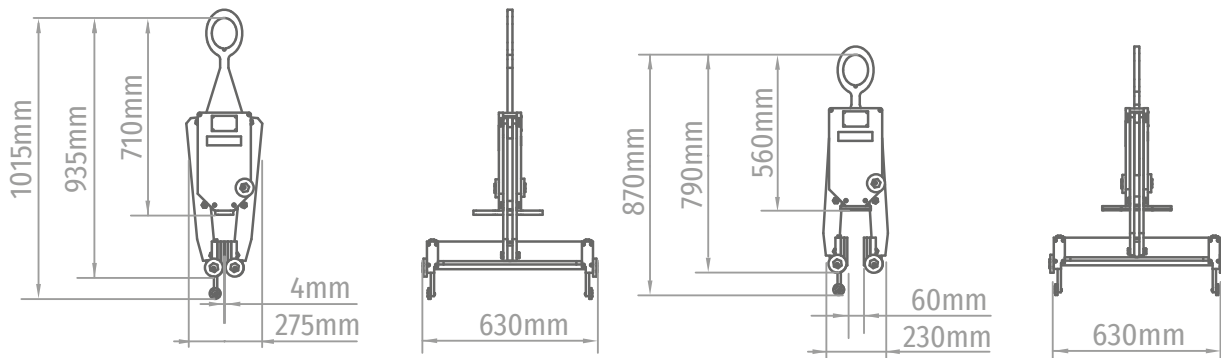


	1250 kg
	4 mm → 60 mm
	39 kg

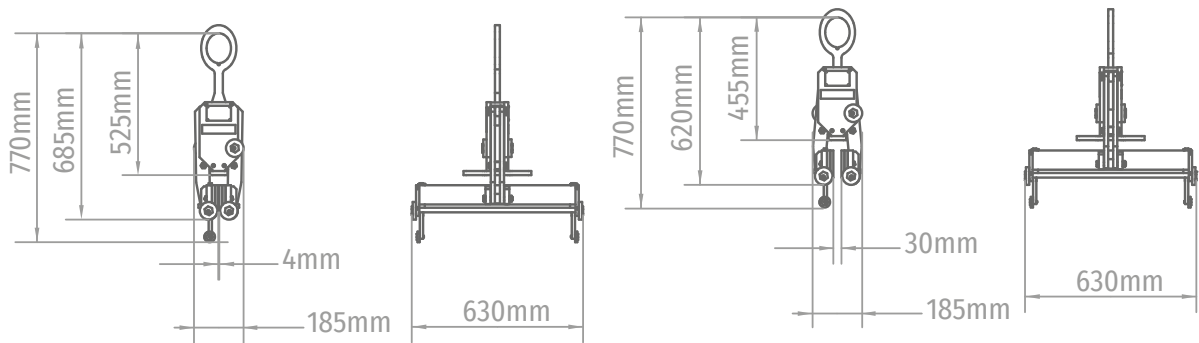
P-21



P-24



P-31



P-34

