


VF4-F6

VF4-F6+4

HANDLING

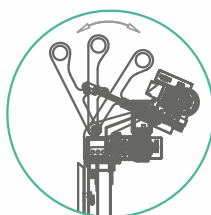
VF4-F6

	1500 kg
	750 kg
	225 kg

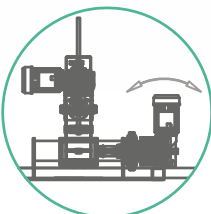




HANDLING




OPTIONAL:
TILTING DEVICE
(+10° TO -10°)



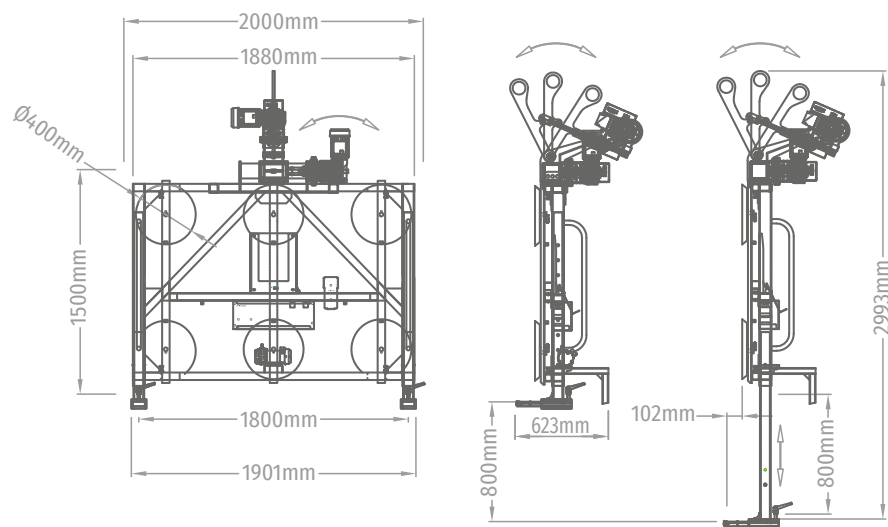
OPTIONAL:
BALANCE DEVICE
(+5° TO -5°)



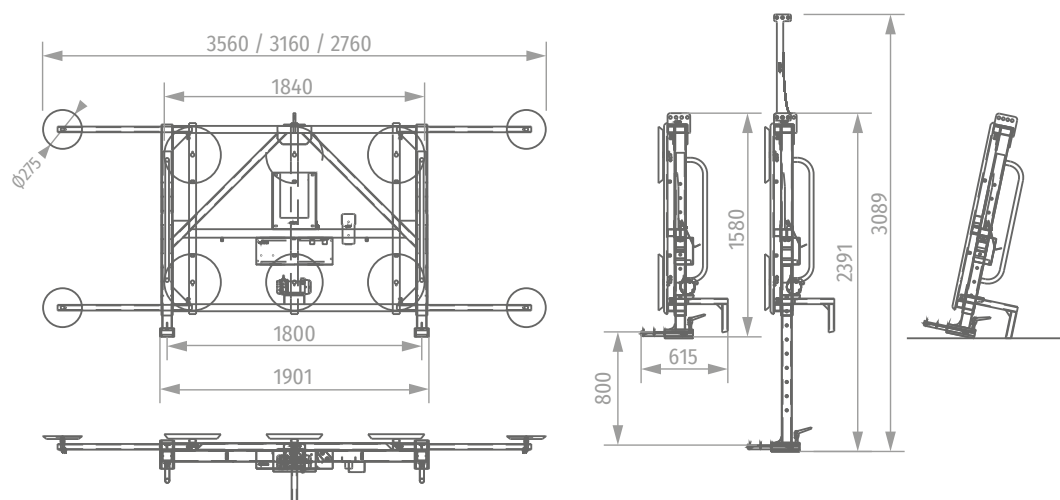
ENH355	OK
kW	450 W
	3 m
	OPTIONAL

	200 - 500 VAC (50 - 60 Hz) + 24 VDC
	80 L/min
	OK

VF4-F6



VF4-F6+4



APPLICATIONS

