

# VN1-G1X

VN1-G1X+2 x 4AL-VN1X | VN1-G1X+4 x 4AL-VN1X

FIXED  
PUSHBUTTON  
CONTROL

## FACTORY SERIES

### VN1-GX1

---




### VN1-G1X+2 x 4AL-VN1X

---



FACTORY SERIES

**AIR** 7 bar - 100 l/min

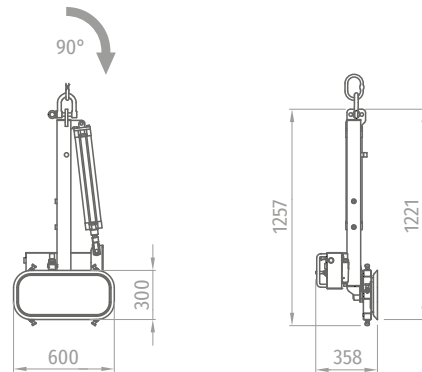
 40 L/min

 0° - 90°

### VN1-G1X


 250 kg

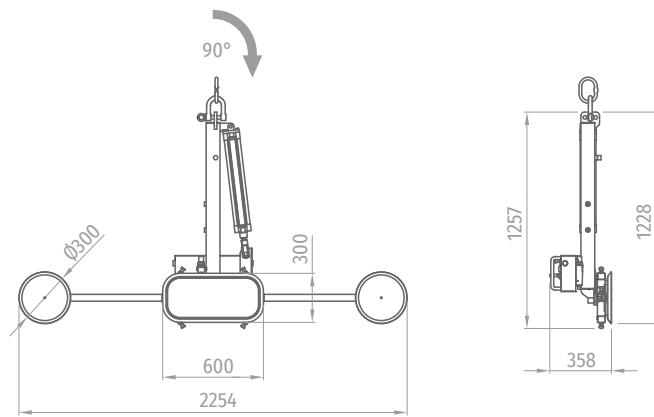
 48 kg




### VN1-G1X+2 x 4AL-VN1X


 400 kg

 60 kg



### VN1-G1X+4 x 4AL-VN1X

 400 kg

 72 kg

