

VN1T-G1X

VN1T-G1X+2 x 4AL-VN1X | VN1T-G1X+4 x 4AL-VN1X

TELESCOPIC
PUSHBUTTON
CONTROL

FACTORY SERIES

VN1T-GX1



VN1T-G1X+2 x 4AL-VN1X



FACTORY SERIES

AIR 7 bar - 100 l/min

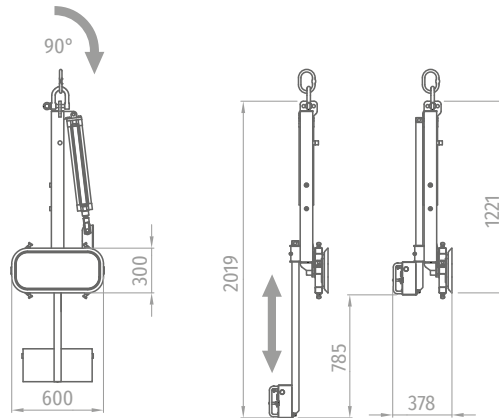
 40 L/min

 0° - 90°

VN1T-G1X

 250 kg

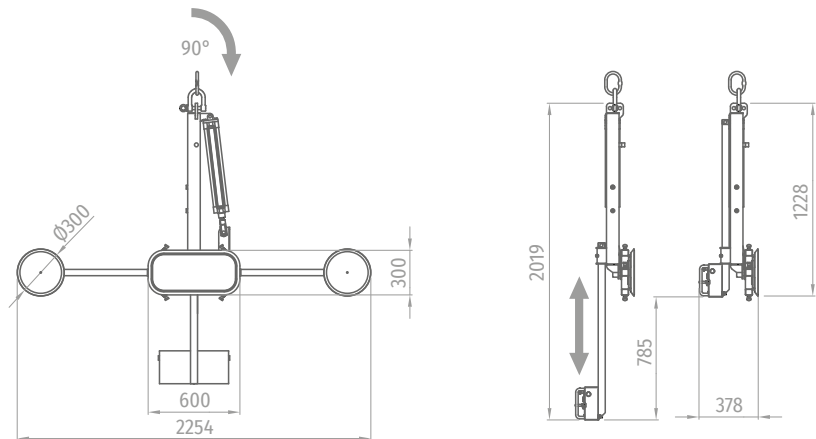
 50 kg



VN1T-G1X+2 x 4AL-VN1X

 400 kg

 62 kg



VN1T-G1X+4 x 4AL-VN1X

 400 kg

 74 kg

