

VN5-B4

VN5-B4+4

FACTORY SERIES

VN5-B4



400 kg



92 kg

FACTORY SERIES

VN5-B4+4



400 kg



108 kg

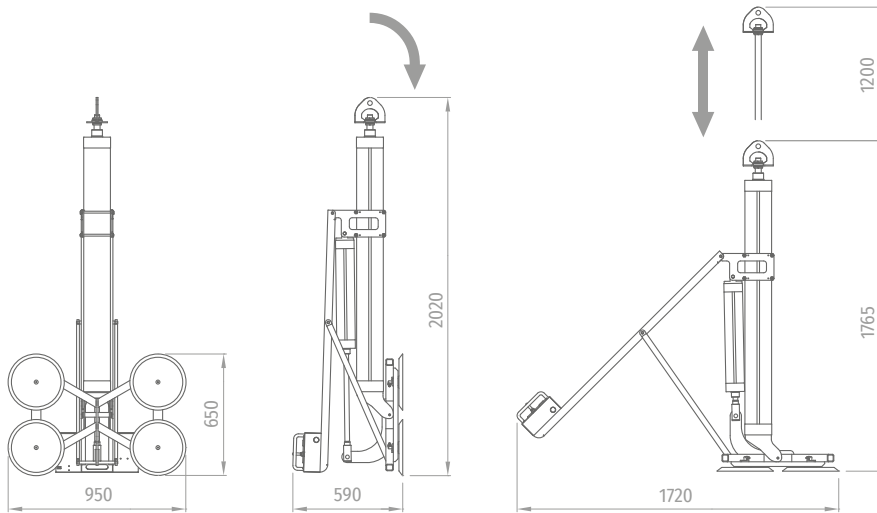
- * HOIST NOT REQUIRED
- * ELEVATION BY MEANS OF PNEUMATIC PISTON

AIR 7 bar - 200 l/min

 40 L/min

 0° - 90°

VN5-B4



VN5-B4+4

