

# VNL-G2

VNL-G2+2

FACTORY SERIES

VNL-G2 COMPATIBLE WITH: CML-B4



|  |        |
|--|--------|
|  | 200 kg |
|  | 47 kg  |



VNL-G2+2

|  |        |
|--|--------|
|  | 200 kg |
|  | 55 kg  |

- \* HOIST NOT REQUIRED
- \* ELEVATION BY MEANS OF PNEUMATIC PISTON

FACTORY SERIES

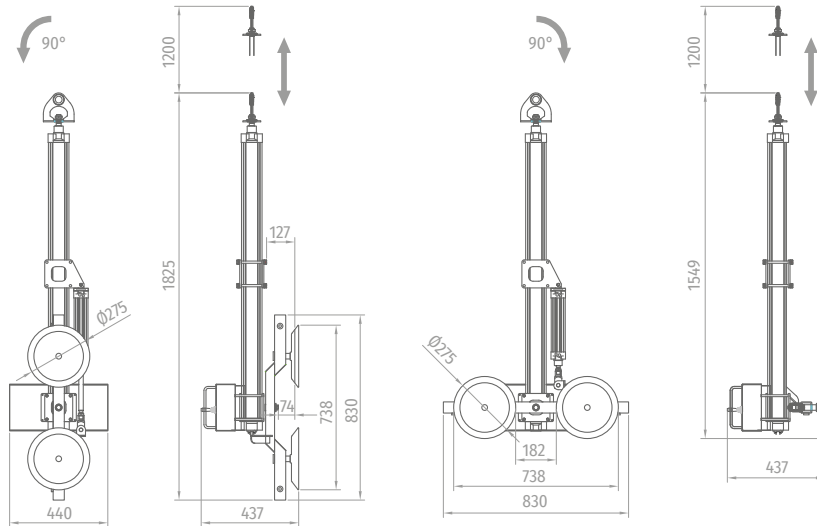


**AIR** 7 bar 200 l/min

 40 L/min

 0° - 90°

## VNL-G2



## VNL-G2+2

